

**KEDUN科顿**

**浙江科顿机械有限公司**  
**ZHEJIANG KEDUN MACHINERY CO., LTD.**

地址：浙江省温州市龙湾区永中街道天中路1178号  
电话：0577-86800678 86800688  
传真：0577-86800689  
邮箱：kedun@zjkedun.com  
网址：www.zjkedun.com

Add: No. 1178, Tianzhong Road, Yongzhong Street,  
Longwan District, Wenzhou, Zhejiang  
Tel: 0086-577-86800678 86800789  
Fax: 0086-577-86800689  
E-mail: kedun@zjkedun.com  
Http: // www.zjkedun.com



企业手机网站



企业微信公众号



**卫生级过滤设备**  
Sanitary filtration equipment

**KEDUN科顿**



## 企业简介 Company Profile

浙江科顿机械有限公司是一家专业从事食品饮料、制药、机械、制造型企业。本公司集技术研发，工程设计，设备制造，工程安装，培训服务为一体。

科顿公司具有最先进的日本LGMAZAK的CNC数控车床及加工中心，专业生产高品质卫生泵、卫生级过滤设备、不锈钢容器以及流体设备。主要产品包括卫生级离心泵，CIP回程泵，转子泵；袋式过滤器，微孔膜过滤器。

科顿公司拥有一支专业化的技术和销售团队，先进的加工设备和高效的施工团队。先后与国外同行合作，引进并消化和吸收国外先进的设计和制造技术。结合自身优势不断创新，制造出与国外同等一流的产品。

Zhejiang Kedun Machinery Co., Ltd. is one enterprise that specialized in the food and beverage, pharmaceutical, machinery, manufacture. The company set technology research and development, engineering design, equipment manufacturing, engineering installation, training services as a whole.

KEDUN company has the most advanced Japanese LGMAZAK CNC lathes and machining centers, specializing in the production of high quality sanitary pump, sanitary filter plant, stainless steel container and fluid equipment. The main products include sanitary centrifugal pump, CIP return pump, rotor pump; bag filter, microporous membrane filter.

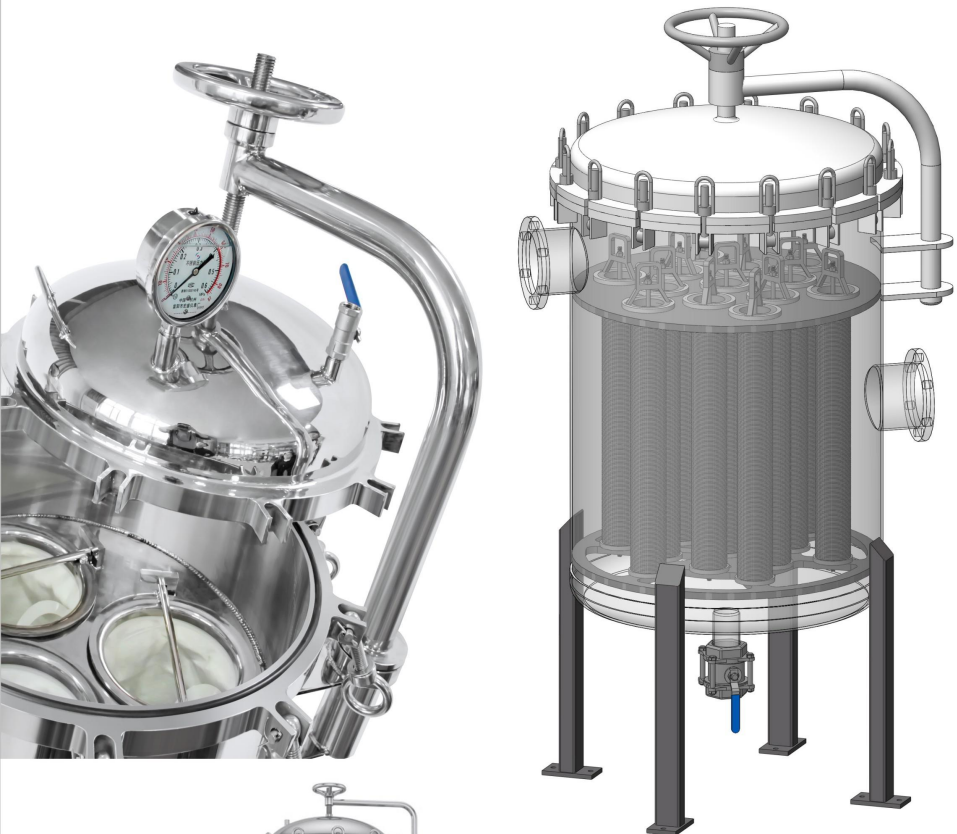
KEDUN company has a professional technical and sales team, advanced processing equipment and efficient construction team. Successively to cooperate with foreign companies, bring in and digest and absorb foreign advanced design and manufacturing technology. Combined with their own advantages continuous innovation, manufacture equal to foreign first-class products.

## 生产装备 Production Equipment



科顿坚信优质的产品除了有优质的管理、优秀的员工、优良的工作环境、卓越的设计理念，更须拥有先进、精良的机械加工专用设备。

Kedun strongly believes that high quality products are manufactured not only through excellent management, prominent employees, good working environment and supreme design conception, but also through advanced and fine special equipment for mechanical machining.



## 目录 Contents

06	侧入式袋式过滤器 Side Entry Bag Filter
08	顶入式袋式过滤器 Top Entry Bag Filter
10	多袋式过滤器 Multi Bags Filter
12	大饼式过滤器 Lenticular Filter
14	单芯卫生级液体过滤器 Single Cartridge Sanitary Filter
16	多芯液体过滤器 Multi Cartridge Sanitary Filter
18	翻转钛棒过滤器 Swing Titanium Rod Fluid Filter
20	管道过滤器 Tube Filter
21	空气(蒸汽)过滤器 Gas(Steam) Filter
22	双联过滤器 Duplex Strainer
23	硅藻土过滤机 Diatomaceous earth filter
24	板框过滤 Filtering Equipment
25	呼吸器 Respirator
26	耗材选型表 Material Selection Table





# 侧入式袋式过滤器

## Side Entry Bag Filter

- 侧入式袋式过滤器，一款配合滤袋使用的袋式过滤器，用于一些粗过滤及预过滤环节。
- 侧进下出或侧进侧出的结构，有效地节省了过滤器的空间，整个结构经济合理。
- 用压环、弹簧压紧滤袋环口，保证了过滤器与滤袋之间良好的密封。
- 可调支脚，安装尺寸可根据现场要求快速调整。

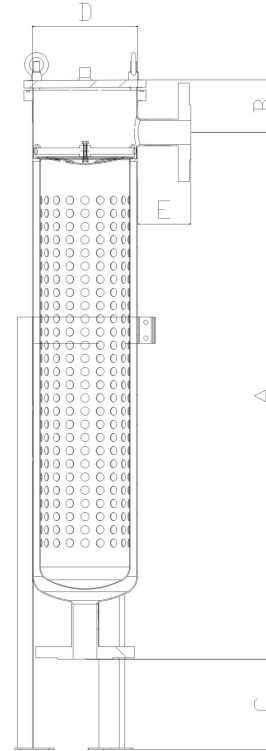
- Side-entry bag filter with single filter bag is for some coarse filtration and pre-filtration process.
- Side entry structure is a economical and reasonable design which can effectively save space of the filter.
- Pressure ring and the spring ensure good seal between the filter and the filter bag.
- With adjustable legs, the installation size can be adjusted according to the requirements of the particular spot.

### 操作条件 Operating Conditions

最大操作压力 Max operating pressure	0.6MPa、1.0MPa
最大操作温度 Max operating temperature	150°C

### 材料 Material

过滤器壳体 Shell	304、316L
吊环螺栓 Eyebolt	304
可调支脚 Stabilizer blade	304
密封圈、垫片 O-ring	三元乙丙橡胶、聚四氟乙烯、氟橡胶、硅橡胶 EPDM, PTFE, Viton, Silicone



### 连接 Connection

壳体连接 Connection of shell	法兰 Flange
进出口N1、N2 In-outlet	法兰、快装、螺纹 Flange, Tri-clamp, Thread
压力表N3(选配) N3 Pressure gauge (option)	1.5"快装Tri-clamp (1号袋#Bag/2号袋#Bag) M14 x 1.5内螺纹Female thread (3号袋#Bag/4号袋#Bag)
排气阀N4(选配) N4Vent valve (option)	1/4"外螺纹 Male thread

### 表面处理 Surface Finish

处理类型Finish type	机械抛光、电解抛光、喷砂 Mechanical / Electrolytical polishing Sand blasting
抛光精度 Polishing precision	内壁 0.6 μm Inner surface Ra ≤ 0.6 μm 外壁 0.8 μm Outside surface Ra ≤ 0.8 μm 支撑盖 0.6 μm Basket 0.6 μm

### 尺寸参数表 Dimension Parameters

	模压盖/平盖		平盖Cover	
	1号袋	2号袋	3号袋	4号袋
A: 总高(不含压力表) Total height	990	1365	525	635
B: 进口中心距 The distance from inlet to center	147		92	
C: 直径 Shell diameter	Φ204	Φ204	Φ114	Φ114
D1: 进口离地高度 The height from inlet to ground	835	1205	445	555
D2: 出口离地高度 The height from outlet to ground	250		300	
进出口 In-outlet N1、N2尺寸 Size	1.5"或2"		1"或1.5"	
E: 可调支脚高度 Stabilizer blade	500	800	300	400
最大流量 Max flow m <sup>3</sup> /h	20	40	6	12

上表数据为标准型，仅供参考，可根据客户要求定制；未注长度单位为mm。  
The above-mentioned data is the standard, it can customize according to customer's requirements.

### 选型表 Selection Table

[ 滤袋数量 Qty. of Bag Filter ]	[ 滤袋型号 Model of Bag Filter ]	[ 壳体材料 Shell Material ]	[ 进出口连接 In-outlet connection ]	[ 密封圈O-ring ]
1P	2S	4	F	E
1P=1袋 Pc	1S=1号袋1#Bag; Φ180 x 430 2S=2号袋1#Bag; Φ180 x 810 3S=3号袋1#Bag; Φ105 x 230 4S=4号袋1#Bag; Φ105 x 380	4=304 6=316L	F=法兰 Flange K=快装 Tri-clamp L=螺纹 Thread	E=三元乙丙橡胶 EPDM P=聚四氟乙烯 PTFE V=氟橡胶 Viton S=硅橡胶 Silicone





# 顶入式袋式过滤器

## Top Entry Bag Filter

- KDGDD顶入式袋式过滤器，一款配合滤袋使用的袋式过滤器，用于一些粗过滤及预过滤环节。
- 侧面入口进入，再从顶部进入滤袋内的设计，能自动分压，不会产生紊流，减少压力损失，有效保护滤袋。
- 顶盖全面压紧密封，密封效果更好，杜绝侧漏。
- 可调支脚，安装尺寸可根据现场要求快速调整。

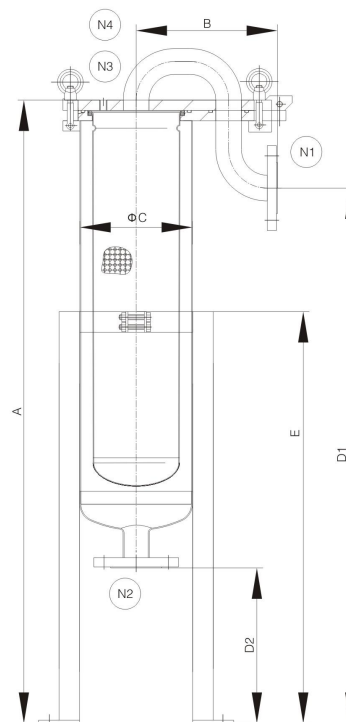
- KDGDD Top Entry Bag Filter Housing for some coarse filtration and pre-filtration process.
- The design of side entry first and then top entry into the filter bag does not cause turbulence and also reduce pressure because of the stabled pressure. Also this structure effectively protects the filter bag.
- The top cover is fully pressed and sealed, and the sealing effect is better.
- With adjustable legs, the installation size can be adjusted according to the requirements of the particular spot.

### 操作条件 Operating Conditions

最大操作压力 Max operating pressure	0.6MPa、1.0MPa
最大操作温度 Max operating temperature	150°C

### 材料 Material

过滤器壳体 Shell	304、316L
吊环螺栓 Eyebolt	304
可调支脚 Stabilizer blade	304
密封圈、垫片 O-ring	三元乙丙橡胶、聚四氟乙烯、氟橡胶、硅橡胶 EPDM, PTFE, Viton, Silicone



顶入式袋式过滤器 Top entry bag filter

### 连接 Connection

壳体连接 Connection of shell	法兰 Flange
进出口N1、N2 In-outlet	法兰、快装、螺纹 Flange, Tri-clamp, Thread
压力表N3(选配) N3 Pressure gauge (option)	M14 × 1.5内螺纹 M14 × 1.5 Female thread (3#Bag/4#Bag)
排气阀N4(选配) N4 Vent valve (option)	1/4"外螺纹 Male thread

### 表面处理 Surface Finish

处理类型/Finish type	机械抛光、电解抛光、喷砂 Mechanical / Electrolytical polishing Sand blasting
抛光精度 Polishing precision	内壁 0.6 μm Inner surface Ra ≤ 0.6 μm 外壁 0.8 μm Outside surface Ra ≤ 0.8 μm 支撑滤袋 0.6 μm Basket 0.6 μm

### 尺寸参数表 Dimension Parameters

	平盖Cover	
	1号袋	2号袋
A: 总高(不含压力表) Total height	790	1110
B: 进口中心距 The distance from inlet to center	275	
C: 直径 Shell diameter	Φ204	Φ204
D1: 进口离地高度 The height from inlet to ground	620	940
D2: 出口离地高度 The height from outlet to ground	200	
进出口 In-outlet N1、N2尺寸 Size	1.5"或2"	
E: 可调支脚高度 Stabilizer blade	550	700
最大流量 Max flow m <sup>3</sup> /h	20	40

上表数据为标准型，仅供参考，可根据客户要求定制；未注长度单位为mm。  
The above-mentioned data is the standard, it can customize according to customer's requirements.

### KDGDD 选型表 Selection Table

[ 滤袋数量 Qty. of Bag Filter ]	[ 滤袋型号 Model of Bag Filter ]	[ 壳体材料 Shell Material ]	[ 进出口连接 In-outlet connection ]	[ 密封圈O-ring ]
1P	2S	4	F	E
1P=1袋 Pc	1S=1号袋1#Bag; Φ180 x 430 2S=2号袋1#Bag; Φ180 x 810 3S=3号袋1#Bag; Φ105 x 230 4S=4号袋1#Bag; Φ105 x 380	4=304 6=316L	F=法兰 Flange K=快装 Tri-clamp L=螺纹 Thread	E=三元乙丙橡胶 EPDM P=聚四氟乙烯 PTFE V=氟橡胶 Viton S=硅橡胶 Silicone

# 多袋式过滤器

## Multi Bags Filter

- KDGDS多袋式过滤器，一款配合滤袋使用的袋式过滤器，用于粗过滤及预过滤环节。
- KDGDS多袋式过滤器标配01号滤袋或02号滤袋，标准模式为2袋-12袋，定制最大生产到24袋，基本能满足各类流量的要求。
- KDGDS Multi bags filter, for some coarse filtration and pre-filtration process.
- KDGDS Standard No. 01 bag or 02 bag, the standard model for 2 ~ 12 bags, and the maximum production customized to 24 bags can basically meet the requirements of various types of flow.

### 典型的应用

食品及饮料；生物工程及医药；石化及化工；汽车制造；石油及天然气；电子及电镀；涂料、油漆、油墨；核电与火电及废液过滤；摄影胶片生产工艺液体过滤；日用化工的液体和气体净化；机械加工及制冷行业各种冷却液过滤；纺织、印染、造纸行业的各种液体净化。

### Application

Food and beverage; bio engineering and pharmaceutical; petrochemical and chemical; automobile manufacturing; petroleum and natural gas; electronic and natural gas; coating, paint, printing ink; nuclear power and thermal power and waste water filtration; liquid and gas purification of liquid and gas.

### 产品特点

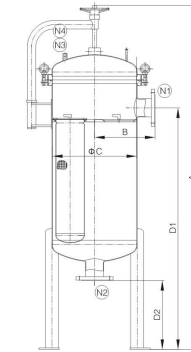
- 处理流量大,使用寿命长。
- 滤器设计紧凑,减少占地空间,同时减少液体的损失。
- 侧进底出的设计确保液体介质可被完全排放,同时采用了正切位出口供选择,使得排污彻底,工人操作方便。
- 内部独特的三点压紧装置确保良好的滤袋密封性,避免液体旁漏。
- 多袋过滤器壳体可采用转臂+吊环螺栓设计或快开设计,操作方便,经济实用。

### Feature

- Large flow, Long service life.
- Compact design can reduce occupied space and the loss of liquid.
- Side entry and bottom out ensure that liquid medium can be completely discharged, the tangential position outlet, discharging pollution thoroughly, is convenient to be operating.
- The unique three-point clamp device ensures good sealing and avoid liquid side leakage.
- The filter housing can add swing arm and the eyebolt or quick-open design, operating conveniently and economically.



### 常规结构 Structure



花板上侧进底出型多袋式过滤器  
Side-in and bottom-out multi bags filter

### 材料 Material

过滤器壳体 Shell	304, 316L
吊环螺栓 Eyebolt	304
支脚、摇臂等 Stabilizer blade	304
密封圈、垫片 O-ring	三元乙丙橡胶、聚四氟乙烯、氟橡胶、硅橡胶 EPDM, PTFE, Viton, Silicone

### 操作条件 Operating Conditions

最大操作压力 Max operating pressure	1.0MPa
最大操作温度 Max operating temperature	150°C

### 表面处理 Surface Finish

处理类型 Finish type	机械抛光、电解抛光、喷砂 Mechanical / Electrolytical polishing Sand blasting
抛光精度 Polishing precision	内壁 0.6 μm Inner surface Ra≤0.6 μm 外壁 0.8 μm Outside surface Ra≤0.8 μm 支撑踏盖 0.6 μm Basket 0.6 μm

### 连接 Connection

壳体连接 Connection of shell	法兰 Flange
进出口N1、N2 In-outlet	法兰、快装、螺纹 Flange, Tri-clamp, Thread
压力表N3(选配) N3 Pressure gauge (option)	1/2"内螺纹 Female thread
排气阀N4(选配) N4 Vent valve (option)	1/2"外螺纹 Male thread
排液阀N5(选配) N5 Drain valve (option)	1/2"外螺纹 Male thread

### 尺寸参数表 Dimension Parameters

	2袋2号袋 2P2S		4袋2号袋 4P4S		6袋2号袋 6P2S	
	花板上侧进底出	花板下侧进侧出	花板上侧进底出	花板下侧进侧出	花板上侧进底出	花板下侧进侧出
A: 总高(不含压力表) Total height	1880	1530	2030	1600	2130	1700
B: 进口中心距 The distance from inlet to center	300		360	400	440	450
C: 直径 Shell diameter	Φ400		Φ500	Φ550	Φ650	
D1: 进口N1离地高度 The height from inlet to ground	1330	950	1425	975	1480	1000
D2: 出口N2离地高度 The height from outlet to ground	300		400	350	400	
N1、N2: 进出口尺寸 In-outlet N1、N2 size	4"		4"		5"	

上表数据为标准型,仅供参考,可根据客户要求定制;未注长度单位为mm。  
The above-mentioned data is the standard, it can customize according to customer's requirements.

### KDGDS 选型表 Selection Table

[ 滤袋数量 Qty. of Bag Filter ]	[ 滤袋型号 Model of Bag Filter ]	[ 壳体材料 Shell Material ]	[ 进出口连接 In-outlet connection ]	[ 密封圈 O-ring ]
3P	2S	4	F	E
2P=2袋 Pc	7P=7袋 Pc	1S=1号袋 1#Bag; Φ180 x 430	F=法兰 Flange	E=三元乙丙橡胶 EPDM
3P=3袋 Pc	9P=9袋 Pc	2S=2号袋 2#Bag; Φ180 x 810	K=快装 Tri-clamp	P=聚四氟乙烯 PTFE
4P=4袋 Pc	12P=12袋 Pc		L=螺纹 Thread	V=氟橡胶 Viton
6P=6袋 Pc				S=硅橡胶 Silicone

# 大饼式过滤器

## Lenticular Filter

- KDGDB大饼式过滤器是一种新型深层过滤器，可用于代替硅藻土过滤器，对各类液体中微小杂质进行过滤、澄清、提纯处理。
- 整体结构按照卫生级要求设计制造，料液无残留，极易清洗，高精度抛光；采用下进下出式结构设计，有效避免料液的紊流，提高过滤性能。
- KDGDB大饼式过滤器最多标配4个滤饼，能满足大流量的过滤要求。

- KDGDB Lenticular Filter is a new type of stacks filter, can be used in place of diatomite filter, for tiny impurities in varied kinds of liquid filtration, clarification, purification.
- The structure is designed and manufactured according to the health level, internal is no dead corner and mirror polishing, it ensure no residual liquid and easy to clean.
- KDGDB Lenticular Filter Housing can maximal install 4 filter stacks, it can fit for big flow requirements.

### 产品特点

- 下进下出的结构设计，方便清洗，在进出口可配置专门的排水阀，方便排水。
- 多饼过滤器时，可选择筒体多段开口的形式，方便更换滤饼，减少滤液渗出。

### Feature

- Easy to clean, the inlet/outlet can be configured special discharge valve, easy to drain.
- Easy to replace the filter stacks, reduce the filter medium leakage.

### 典型的应用

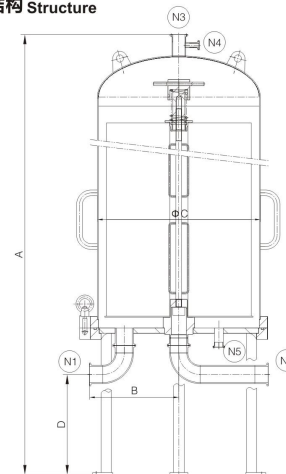
- 酒类，糖浆，啤酒的微生物和固体过滤。
- 果汁和果汁浓缩灌装前的终端过滤。
- 果汁膜过滤之前的预过滤。
- 酒类，酶溶解，液体胶质，橄榄油的澄清过滤。
- 医药，化工，电子过滤。

### Application

- Microbe and solid filtration of alcohol, syrup, beer.
- End filtration of fruit juice and juice concentrate.
- Pre filtering of juice membrane filtration.
- Clarification of alcohol, enzyme dissolution, liquid gum, olive oil.
- Pharmaceutical, chemical, electronic filtration.



### 常规结构 Structure



### 操作条件 Operating Conditions

最大操作压力 Max operating pressure	0.6MPa
最大操作温度 Max operating temperature	150°C
灭菌 Disinfect	在线或蒸汽灭菌: 121°C/30min On-line or steam sterilization: 121°C/30min

### 材料 Material

过滤器壳体 Shell	304, 316L
排气/液阀 Vent/ Drain valve	304, 316L
吊环螺栓 Eyebolt	304
支脚 Stabilizer blade	304
密封圈、垫片 O-ring	三元乙丙橡胶、聚四氟乙烯、氟橡胶、硅橡胶 EPDM, PTFE, Viton, Silicone

### 连接 Connection

壳体连接 Connection of shell	法兰 Flange
进出口N1、N2 In-outlet	法兰快装螺纹 Flange, Tri-clamp, Thread
压力表N3(选配) N3 Pressure gauge (option)	1.5"快装 Tri-clamp
排液阀N4(选配) N4 Drain valve (option)	1"快装 Tri-clamp
排气阀N5(选配) N5 Vent valve (option)	1/2"快装 Tri-clamp

### 表面处理 Surface Finish

处理类型 Finish type	机械抛光、电解抛光 Mechanical/electrolytical polishing
抛光精度 Polishing precision	内壁 0.3 μm Inner surface Ra ≤ 0.6 μm 外壁 0.4 μm Outside surface Ra ≤ 0.8 μm

### 尺寸参数表 Dimension Parameters

	12"滤饼 Filter stacks				16"滤饼 Filter stacks			
	1滤饼 (B)	2滤饼 (B)	3滤饼 (B)	4滤饼 (B)	1滤饼 (B)	2滤饼 (B)	3滤饼 (B)	4滤饼 (B)
A: 总高(不含压力表) Total height	950	1210	1490	1760	960	1230	1500	1770
B: 进口中心距 The distance from inlet to center					250			
C: 直径 Shell diameter	Φ325				Φ450			
D: 进出口N1、N2离地高度 N1, N2 The height from in-outlet to ground	280				280			
进出口N1、N2尺寸 In-outlet N1, N2 size	2"				2"			

上表数据为标准型直立式过滤器，仅供参考，可根据客户要求定制；未注长度单位为mm。  
The above-mentioned data is the standard, it can customize according to customer's requirements.

### KDGDB 选型表 Selection Table

[ 滤饼数量 Qty. Of filter stacks ]	[ 滤饼型号 Model of filter stacks ]	[ 壳体材料 Shell material ]	[ 进出口连接 In-outlet connection ]	[ 密封圈 O-ring ]
1B	12	4	F	E
1B=1饼 Pcs	12=12" 滤饼 Filter stacks	4=304	F=法兰 Flange	E=三元乙丙橡胶 EPDM
2B=2饼 Pcs	16=16" 滤饼 Filter stacks	6=316L	K=快装 Tri-clamp	P=聚四氟乙烯 PTFE
3B=3饼 Pcs			L=螺纹 Screw thread	V=氟橡胶 Viton
4B=4饼 Pcs				S=硅橡胶 Silicone



# 单芯卫生级液体过滤器

## Single Cartridge Sanitary Filter

- KDGDX单芯卫生级液体过滤器是一款小流量的高端卫生级过滤器。
- KDGDX单芯卫生级液体过滤器具有良好的表面和最大的耐腐蚀能力，以达到防止细菌污染的质量标准，卫生级过滤器套筒独特的结构，使每一个套筒的内外表面均没有死角、符合“GMP”规范要求，可完全拆洗，操作方便。
- KDGDX Single Fluid Sanitary Filter is high quality sanitary grade filter which service for small flow rate.
- KDGDX Single Fluid Sanitary Filter have excellent surface treatment and the maximal corrosion-resistant in order to prevent the bacterial contamination. The unique structure of the sanitary filter housing ensures inside and outside surface have no dead corner and conforms to the requirements of GMP. The filter housing can be completely disassembled and washed, easy to operate.

### 典型的应用 Application

- 医药行业：各种抗菌素等药液的前置过滤。
- 食品饮料业：酒类、矿泉水、饮用水的过滤。
- 石油工业：油田注水过滤。
- 电子工业：高纯水前置过滤。
- 化学工业：各种有机溶剂、酸、碱液的过滤。
- Low the pharmaceutical industry: all kinds of antibiotics such as liquid prefiltering.
- Low food and beverage, wine, mineral water, drinking water filtration.
- Low oil industry, oil field water injection filter.
- Low electronic industry: high pure water prefiltering.
- Low chemical industry: all kinds of organic solvents, acid, alkali liquor filtration.

### 产品特点

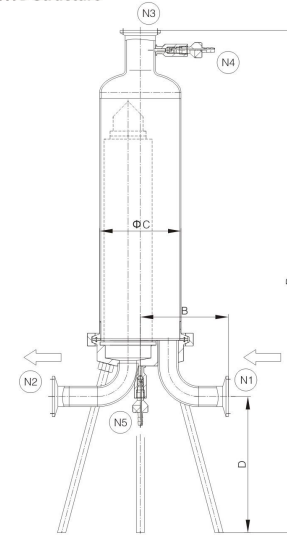
- 超高的抛光等级，内壁采用达到 $0.3\mu\text{m}$ ，外壁达到 $0.4\mu\text{m}$ ，绝对卫生级抛光。
- 采用强力快装，最高压力可达 $0.6\text{MPa}$ 、 $1.0\text{MPa}$ 。
- 排气阀和排水阀：螺纹套和宝塔接头脱离，在放气和排水时，所接软管不会再随着转动。
- 过滤器的支脚采用加强螺纹，不易滑牙，更为耐用；在支脚底部可安装调节螺母，可进行过滤器的高度调节，方便使用。

### Feature

- Ultra high level of polishing, use  $0.3\mu\text{m}$ , the outer wall is  $0.4\mu\text{m}$ , absolute health level and polishing.
- Using strong fast loading, the highest pressure of  $0.6\text{MPa}$ ,  $1.0\text{MPa}$ .
- Low exhaust valve and drain valve: threaded joint sets and pagoda from, when deflated and drainage, with the connect hose won't turn.
- Low filter supporting feet by strengthening thread, not easy sliding teeth, more durable; Can be installed adjusting nut at the bottom of the feet, can adjust the height of the filter, easy to use.



### 常规结构 Structure



### 尺寸参数表 Dimension Parameters

	1芯 Pc		
	10'	10'	10'
A: 总高(不含压力表) Total height	625	625	625
B: 进口中心距 The distance from inlet to center		110	
C: 直径 Shell diameter		$\Phi 101.6$	
D: 进口N1、N2离地高度 D; N1, N2 The height from in-outlet to ground		170	
进出口 In-outlet N1、N2尺寸 Size		1'	

上表数据为标准型，仅供参考，可根据客户要求定制；未注长度单位为mm。  
The above-mentioned data is the standard, it can customize according to customer's requirements.

### KDGDX 选型表 Selection Table

[ 滤芯数量 Qty. of Bag Filter ]	[ 滤芯型号 Model of Bag Filter ]	[ 滤芯接头 Cartridges connection ]	[ 壳体材料 Shell Material ]	[ 进出口连接 In-outlet connection ]	[ 密封圈 O-ring ]
1R	20	S	4	K	E
1R=1芯 Pc	10=10' 滤芯 Cartridge	S=226型 Type	4=304	K=快装 Tri-clamp	E=三元乙丙橡胶 EPDM
	20=20' 滤芯 Cartridge	T=222型 Type	6=316L		P=聚四氟乙烯 PTFE
	30=30' 滤芯 Cartridge				V=氟橡胶 Viton
	40=40' 滤芯 Cartridge				S=硅橡胶 Silicone

### 操作条件 Operating Conditions

最大操作压力 Max operating pressure	0.6MPa、1.0MPa
最大操作温度 Max operating temperature	150°C
灭菌 Disinfect	在线或蒸汽灭菌：121°C/30min Online or steam sterilization： 121°C/30min

### 材料 Material

过滤器壳体 Shell	304、316L
排气/液阀 Vent/ Drain valve	304
快装、支脚 Quick-open, Stabilizer blade	304
密封圈、垫片 O-ring	三元乙丙橡胶、聚四氟乙烯、 氟橡胶、硅橡胶 EPDM, PTFE, Viton, Silicone

### 连接 Connection

壳体连接 Connection of shell	快装 Tri-clamp
进出口 N1、N2 In-outlet	快装 Tri-clamp
压力表N3(选配) N3 Pressure gauge (option)	1.5"卡接 Tri-clamp
排气阀N4(选配) N4 Vent valve (option)	M6 Thread
排水阀N5(选配) N5 Drain valve (option)	M6 Thread
滤芯接头形式 Cartridges connection	222type, 226type

### 表面处理 Surface Finish

处理类型 Finish type	机械抛光、电解抛光、喷砂 Mechanical/ Electrolytical polishing Sand blasting
抛光精度 Polishing precision	内壁 $0.3\mu\text{m}$ Inner surface Ra $\leq 0.3\mu\text{m}$ 外壁 $0.4\mu\text{m}$ Outside surface Ra $\leq 0.4\mu\text{m}$

# 多芯液体过滤器

## Multi Cartridge Sanitary Filter

- KDGLD多芯液体过滤器，可满足中小流量要求。
- 整体结构(222型、226型)按照卫生级要求设计制造；结构无卫生死角，符合“GMP”规范要求，易清洗；排液彻底，无残液顾虑。
- 对于部分清洗非常苛刻的应用，可将过滤器的花盘做成拆卸式，实现全角度清洗。
- KDGLD Multi Fluid Sanitary Filter can meet requirement of medium & small flow rate.
- The structure design and manufacture in accordance with the sanitary grade. It's no dead corner, meet "GMP" standard, easy to clean, drain thoroughly, no residual liquid.
- For the application of some very harsh cleaning, the filter faceplate made of detachable, full angle cleaning.

### 典型的应用

- 医药行业：各种抗菌素等药液的过滤。
- 食品饮料业：酒类、矿泉水、饮用水的过滤。
- 石油工业：油田注水过滤。
- 电子工业：高纯水过滤。
- 化学工业：各种有机溶剂、酸、碱液的过滤。

### Application

- Pharmaceutical industry: all kinds of antibiotics and other liquid filtration.
- Food and beverage industry: wine, mineral water, drinking water filtration.
- Oil industry: oil field water injection filtration.
- Electronics industry: high purity water filtration.
- Chemical industry: all kinds of organic solvent, acid, lye filtration.

### 产品特点

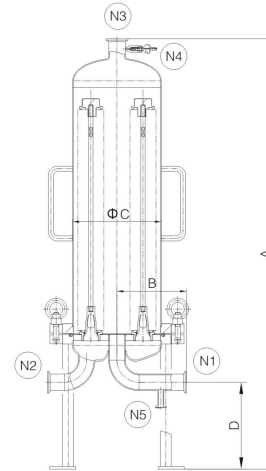
- 超高的抛光等级，内壁采用达到 $0.3\mu\text{m}$ ，外壁达到 $0.4\mu\text{m}$ ，绝对卫生级抛光。
- 排气阀可选快拆形式，可完全拆卸，无卫生死角。
- 小规格过滤器在支脚底部安装调节螺母，可进行过滤器的高度调节，方便使用。

### Feature

- The ultra high level of polishing, the inner surface polished to  $0.3\mu\text{m}$  Ra, the outer surface to reach  $0.4\mu\text{m}$ , the absolute hygienic level polishing.
- The vent valve can choose quick-open, can completely disassembled and no dead corner of cleaning.
- Small specification filter installation adjusting nut at the bottom of the Stabilizer blade, can adjust the height of the filter, easy to use.



### 常规结构 Structure



多芯工业级液体过滤器(DOE型)  
Industrial grade multi fluid sanitary filter  
(DOE type)

### 操作条件 Operating Conditions

最大操作压力 Max operating pressure	0.6MPa、1.0MPa
最大操作温度 Max operating temperature	150°C
灭菌(卫生级) Disinfect(sanitation)	在线或蒸汽灭菌：121°C/30min Online or steam sterilization： 121°C/30min

### 材料 Material

过滤器壳体 Shell	304、316L
排气/液阀 Vent/ Drain valve	304、316L
吊环螺栓 Eyebolt	304
密封圈、垫片 O-ring	三元乙丙橡胶 聚四氟乙烯、 氟橡胶、硅橡胶 EPDM, PTFE, Viton, Silicone

### 连接 Connection

壳体连接 Connection of shell	法兰(吊环螺栓)卡接 Tri-clamp, Flange
进出口 N1、N2 In-outlet	快拆 Tri-clamp
压力表 N3(选配) N3 Pressure gauge (option)	1.5"快拆 Tri-clamp
排气阀 N4(选配) N4 Vent valve (option)	1/2"快拆 M6螺紋 1/2 Tri-clamp/M6 Thread
排液阀 N5(选配) N5 Drain valve (option)	1/2"快拆 Tri-clamp
滤芯接头形式 Cartridges connection	222型、226型(卫生级)DOE(工业级) 222type、226 type (sanitation) DOE type (industrial-grade)

### 表面处理 Surface Finish

处理类型 Finish type	机械抛光、电解抛光、喷砂 Mechanical/ Electrolytical polishing Sand blasting
抛光精度 Polishing precision	内壁 $0.3\mu\text{m}$ Inner surface Ra $\leq 0.3\mu\text{m}$ 外壁 $0.4\mu\text{m}$ Outside surface Ra $\leq 0.4\mu\text{m}$

### 尺寸参数表 Dimension Parameters

	3芯(4芯) 3R(4R)				5芯(6芯) 5R(6R)				7芯(8芯) 7R(8R)			
	10"	20"	30"	40"	10"	20"	30"	40"	10"	20"	30"	40"
A: 总高(不含压力表) Total height	760	1010	1260	1510	760	1030	1280	1530	805	1055	1305	1555
B: 进口中心距 The distance from inlet to center	160				160				200			
C: 直径 Shell diameter	Φ204				Φ235				Φ273			
D: 进出口N1/N2离地高度 The height from in-outlet N1, N2 to the ground	200				200				200			
N1、N2进出口尺寸 In-outlet N1、N2 size	1.5"				2"				2.5"			

上表数据为标准型多芯卫生级液体过滤器，仅供参考，可根据客户要求定制；未注长度单位为mm。  
The above-mentioned data is the standard, it can customize according to customer's requirements.

### KDGLD 选型表 Selection Table

[ 滤芯数量 Qty. of Bag Filter ]	[ 滤芯型号 Model of Bag Filter ]	[ 滤芯接头 Cartridges connection ]	[ 壳体材料 Shell Material ]	[ 进出口连接 In-outlet connection ]	[ 密封圈 O-ring ]
5R	20	S	4	K	E
3R=3芯 Pcs	10=10' 滤芯 Cartridge	S=226型(卫生级) (sanitary grade)	4=304	K=快拆 Tri-clamp	E=三元乙丙橡胶 EPDM
5R=5芯 Pcs	20=20' 滤芯 Cartridge	T=222型(卫生级) (sanitary grade)	6=316L		P=聚四氟乙烯 PTFE
7R=7芯 Pcs	30=30' 滤芯 Cartridge	D=DOE(卫生级) (industrial grade)			V=氟橡胶 Viton
9R=9芯 Pcs	40=40' 滤芯 Cartridge				S=硅橡胶 Silicone
12R=12芯 Pcs					

# 翻转钛棒过滤器

## Swing Titanium Rod Fluid Filter

- KDGYB翻转钛棒过滤器，特别为固体杂质含量较高的料液场合设计。配合金属滤芯或不锈钢滤芯，可实现良好的固液分离效果；筒身可180° 翻转，可将滤芯外部的固体杂质颗粒彻底排尽
- 筒体全部采用优质304或316L不锈钢材料制造，筒体采用法兰连接方式；一般用于粗滤或中间过滤。
- 翻转钛棒过滤器能除去清水中的异色，异味和汞，铅，镉，锌，铁，锰，铬等重金属物质，还可去除清水中的砷，氢化物，硫化物，余氯等高分子化合物及铊，镭等放射性物质，除去和杀死水中的细菌和大肠杆菌以及其它致癌物质；广泛食品饮料、制药、化工等行业的固液分离，在制药行业尤其适用于输液针剂生产线中的脱炭过滤。
- KDGYB Swing Fluid Filter Housing is specially designed for the material liquid with high solid content of impurities. With metal titanium cartridge or stainless steel cartridge, it can achieve a excellent effect of solid liquid separation. The filter shell can turn 180° , the solid impurity on the outside surface of cartridge can be drained completely.
- The filter are all made of high quality 304 or 316L stainless steel materials. The whole shell is connected by flange. Swing type filter mainly used in industrial field decarbonization filtration and the high oxidizing solution filtration .
- For water treatment The titanium filter can remove heavy metals like heterochromatic impurity, odor, mercury, lead, cadmium, zinc, iron, manganese and chrome and remove polymers like arsenic, hydride, sulfide, chlorine and other radioactive substances like strontium, radium. What' s more, it can remove and kill bacteria and Escherichia coli, and other cancer-causing substances in the water.

### 产品特点

- 筒身可180° 翻转，可将滤芯外部的固体杂质颗粒彻底排尽。
- 花盘可拆卸，实现彻底清洗。
- 过滤器壳底部可设置轮子，方便移动。
- 钛棒滤芯，具有耐高温、高压、强酸、强碱、耐腐蚀，通过冲洗或酸碱浸泡后可反复再生使用。

### Feature

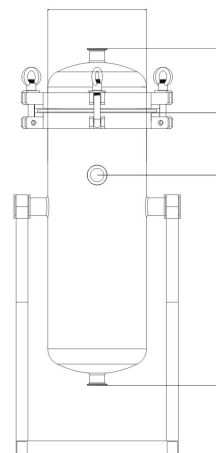
- The filter shell can turn 180° , the solid impurity particles of the cartridge external can be drained completely.
- The filter faceplate can be made into a detachable type, to achieve thorough cleaning.
- We can add wheels at the bottom of the filter shell, convenient to move.
- Titanium rod cartridge has high temperature, high pressure resistance, strong acid, strong alkali, corrosion resistance,it can be used repeatedly after washing or soaking by acid and alkali.



### 典型的应用

- 电子工业：电子、微电子、半导体工业用水等过滤。
- 医药工业：原料药、溶剂性药液、物料的脱碳过滤等过滤。
- 化学工业：有机溶剂、化学试剂、液体原料、催化剂等过滤。
- 食品工业：啤酒、饮料、矿泉水、植物油、酱油、醋等过滤。
- 炼油工业：油田回流水过滤、海水淡化领域反渗透前的保安过滤。

### 常规结构 Structure



### Application

- Electronics industry: electronic, microelectronics, semiconductor industry water filtration.
- Pharmaceutical industry: pharmaceutical raw materials, solvent liquid medicine , decarbonize material filtration.
- Chemical industry: organic solvents, chemical reagents, liquid raw materials, catalysts, etc. filtration.
- Food industry: beer, beverage, mineral water, vegetable oil, soy sauce, vinegar, etc. filtration .
- Oil refining industry: oilfield reflux water filtration, industry filtration before reverse osmosis desalination field.

### 操作条件 Operating Conditions

最大操作压力 Max operating pressure	0.6MPa
最大操作温度 Max operating temperature	200°C

### 材料 Material

过滤器壳体 Shell	304、316L
排气/液阀 Vent/ Drain valve	304、316L
吊环螺栓 Eyebolt	304
支脚 Stabilizer blade	304
密封圈、垫片 O-ring	三元乙丙橡胶、聚四氟乙烯、氟橡胶、硅橡胶 EPDM, PTFE, Viton, Silicone

### 连接 Connection

壳体连接 Connection of shell	法兰(吊环螺栓) Flange(Eyebolt)
进出口 In-outlet	快装法兰螺纹 Tri-clamp, Flange, Thread
排污阀 Drain valve(option)	快装 Tri-clamp
压力表 Pressure gauge (option)	快装 Tri-clamp
排气阀 Vent valve (option)	螺纹 Thread
排渣阀 Discharge valve	快开法兰带铰链 Quick opening flange with hinges

### 表面处理 Surface Finish

处理类型 Finish type	机械抛光 Mechanical polishing
抛光精度 Polishing precision	内壁 0.4 μm Inner surface Ra≤0.4 μm 外壁 0.4 μm Outside surface Ra≤0.6 μm

### KDGYB 选型表 Selection Table

[ 钛棒滤芯数量 Qty. Of Titanium cartridge ]	[ 滤芯型号 Model of cartridge ]	[ 壳体材料 Shell Material ]	[ 进出口连接 In-outlet connection ]	[ 密封圈 O-ring ]
5T	20	4	K	E
3T=3芯Pcs	10=10' 滤芯 Cartridge	4= 304	F=法兰 Flange	E=三元乙丙橡胶 EPDM
5T=5芯 Pcs	20=20' 滤芯 Cartridge	6= 316L	K=快装 Tri-clamp	P=聚四氟乙烯 PTFE
9T=9芯 Pcs	30=30' 滤芯 Cartridge		L=螺纹 Screw thread	V=氟橡胶 Viton
	40=40' 滤芯 Cartridge			S=硅橡胶 Silicone



# 管道过滤器 Tube Filter



- KDGTF管式过滤器是一款除去管道液体中少量固体颗粒，可保护压缩机，泵，仪表和其它设备的正常工作的小型改良高效管道式过滤器。
- KDGTF管式过滤器采用多道抛光处理，保证料液接触面Ra达到0.4 μm接近卫生级要求，全镜面抛光。

- KDGTF Tube Filter is an improved small tube strainer which can remove a small amount of solid particles in the liquid, also can protect compressor, pump, instruments and other equipment to work normally.
- KDGTF Tube Filter adopts multiple polishing processing steps to ensure that the interface Ra reach to 0.4 μm close to sanitary level. All of the surface is mirror polished.

## 典型的应用

- 各种液体的颗粒过滤；
- 食用油、饮料、酒类的过滤；
- 化工厂过滤
- 压缩机，泵，仪表和其它设备初过滤和保护作用。

## Application

- All kinds of liquid particle filtering.
- Edible oil, beverage, wine filtration.
- Chemical filter.
- Compressors, pumps, instrumentation and other equipment pre-filtering and protection.

## 尺寸参数表 Dimension Parameters

	进出口2"				进出口2.5"				进出口3"			
	46滤芯 (Cartridge)	48滤芯 (Cartridge)	56滤芯 (Cartridge)	58滤芯 (Cartridge)	46滤芯 (Cartridge)	48滤芯 (Cartridge)	56滤芯 (Cartridge)	58滤芯 (Cartridge)	56滤芯 (Cartridge)	58滤芯 (Cartridge)	56滤芯 (Cartridge)	58滤芯 (Cartridge)
A: 总高(不含滤盖、压力表) Total height	621	833	621	833	621	833	621	833	621	833	621	833
B: 进口中心距 The distance from inlet to center	89				108				127			
C: 直径 Shell diameter	Φ101.6		Φ129		Φ101.6		Φ129		Φ101.6		Φ129	
D: 进口N1离滤盖端面高度 InletN1 to filter cover height	100				100				100			
E: 筛管滤芯直径 The diameter of the filter screen	Φ76		Φ100		Φ76		Φ100		Φ76		Φ100	
F: 筛管滤芯长度 The length of the filter screen	554	766	554	766	554	766	554	766	554	766	554	766

上表数据为标准型管式过滤器，仅供参考，可根据客户要求定制；未注长度单位为mm。  
The above-mentioned data is the standard, it can customize according to customer's requirements.

# 空气(蒸汽)过滤器 Gas(Steam) Filter



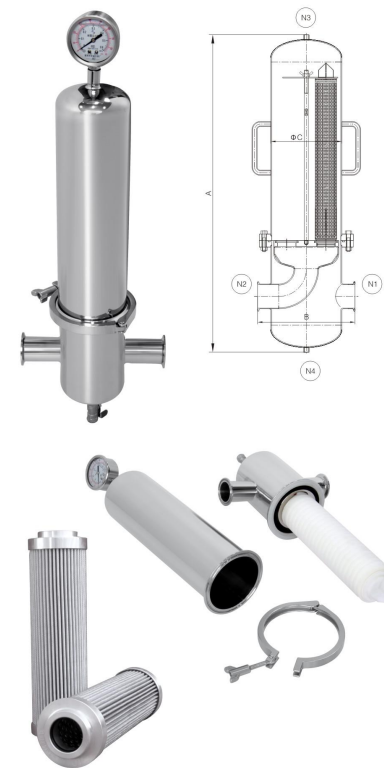
- KDGKQ空气(蒸汽)过滤器是一款配合滤芯应用的高纯度气体除颗粒过滤器。
- 配合聚四氟乙烯高效除菌滤芯，可以应用在无菌的气体、发酵气体过滤；配合玻璃纤维滤芯，可以应用在一些高纯度气体过滤；配合不锈钢滤芯，可以解决高温气体过滤问题。
- 滤芯接头统一设计成226双密封圈卡口式，使得滤芯的密封性能更优秀。
- KDGKQ Gas(Steam) Filter Housing is a high purity particle filter using with filter cartridge for removing particle in gas.
- Using with PTFE efficient aseptic filter cartridge can be used in sterile gas and fermentation gas filtration. Using with glass fiber filter cartridge, can be used in high purity gas filtration. Using with stainless steel cartridge, can solve the problem of high Temp. air filtration.
- Filter connection unified designed to 226 double seal clamp type, to make the filter sealing performance is more outstanding.

## 产品特点 Feature

- 滤芯接头采用226双密封圈卡口式，确保密封。
- 3芯以下过滤器壳体可采用快装，更换滤芯时方便快捷。
- Filter connection adopts 226 double seal clamp type, to ensure the sealing.
- The cartridge number under 3 the filter housing can adopt quick-open, to be convenient and quick when change cartridge.

## 典型的应用 Application

- 在生物技术、医药领域的杀菌功能。
- 食品和饮料的杀菌，对加热食物的蒸汽进行过滤。
- 电子行业、生物技术、制药等实验室的湿气过滤。
- The sterilization function in the field of biotechnology, medical.
- Sterilizing for beverage and food, filtering steam for heating food.
- Filtering dampness in laboratory such as electronics industry, biotechnology, pharmaceutical etc.



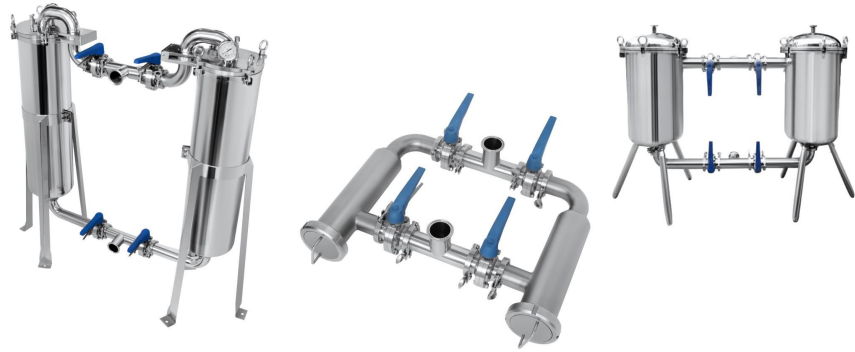
## 尺寸参数表 Dimension Parameters

	1芯 R				3芯 R				5芯 R				9芯 R			
	10滤芯 Cartridge	20滤芯 Cartridge	30滤芯 Cartridge	40滤芯 Cartridge	10滤芯 Cartridge	20滤芯 Cartridge	30滤芯 Cartridge	40滤芯 Cartridge	10滤芯 Cartridge	20滤芯 Cartridge	30滤芯 Cartridge	40滤芯 Cartridge	10滤芯 Cartridge	20滤芯 Cartridge	30滤芯 Cartridge	40滤芯 Cartridge
A: 总高(不含压力表) Total height	550	800	1050	1300	696	946	1196	1446	728	978	1228	1478	835	1085	1335	1585
B: 进出口距 The distance from inlet to center	150(快装)(Tri-clamp)				270(快装)(Tri-clamp)				270(快装)(Tri-clamp)				395(快装)(Tri-clamp)			
C: 直径 Shell diameter	Φ101.6				Φ200				Φ219				Φ325			
进出口N1、N2尺寸 In-outlet N1, N2 size	1"				3"				3"				4"			

上表数据为标准型空气(蒸汽)过滤器，仅供参考，可根据客户要求定制；未注长度单位为mm。  
The above-mentioned data is the standard, it can customize according to customer's requirements.



## 双联过滤器 Duplex Strainer



KDGCII 双联侧入式袋式过滤器  
KDGCII Duplex side entry bag filter

KDGTII 双道双联过滤器  
KDGTII Dual-channel double filter

- 双联(多联)过滤器是一种由两台(多台)不锈钢过滤器并联而成, 可根据实际情况进行定制, 具有结构新颖合理、密封性好、流通能力强、操作简便等诸多优点, 应用范围广泛、适应性强的多用途过滤设备; 并可配套输送泵组装在移动式推车上, 以随意移动到任何生产线上进行过滤。
- 双联(多联)过滤器采用快装接口或法兰接口, 设计压力均达到 1.0MPa。

- Duplex (multi) Strainer is composed of two (more) stainless steel filters, can be customized according to the actual situation. It has many advantages, such as reasonable and novel structure, reliably sealing, good fluidity and easy and simple to handle etc. Also this Multipurpose filtering equipment has wide range of application and outstanding adaptation. Delivery pump can be assembled on the mobile cart, in order to move to any production line for filtering.
- Duplex (multi) Strainer adopts quick-open connection or flange connection, design pressure are reached to 1.0MPa.

## 紫外线杀菌器 Ultraviolet disinfection

### 产品特点

管道封闭式消毒器一般适用于中、小水量处理或有必要施加压力且消毒器不能在明渠中使用的情况。各种系统中外置密封石英套管的紫外线灯管都可以与水流方向垂直或平行布置。平行系统水力损失小、水流形式均匀, 而垂直系统则可以使水流移动, 提高消毒效率。

### Features

Pipeline Closed disinfection generally applicable to medium and small water treatment or the need to exert pressure and the situation can not be used in the disinfection of open channel. Various systems of external sealed quartz tube UV lamp can be arranged parallel or perpendicular to the direction of flow. Parallel Systems hydraulic loss is small, uniform flow in the form, and the vertical system can make the water move, improve disinfection efficiency.



## 硅藻土过滤器 Diatomaceous earth filter

KEDUN 科顿

硅藻土过滤器: 以硅藻土为主要介质, 利用硅藻土颗粒的细微性和多孔性去除游泳池水中悬浮颗粒、胶体等杂质的过滤装置。

本设备由壳体、中间轴、过滤板、过滤网、导杆、气阀、玻璃视镜、胶轮等件组成, 所有液体接触的机件, 均采用不锈钢材料制成, 壳体分为多节、单节、节间用橡胶密封圈密封, 便于拆卸清洗。硅藻土过滤器适用于果酒、白酒、保健酒、葡萄酒、糖浆、饮料、酱油、醋、以及生物、医药、化工等液态制品的澄清过滤。

Diatomaceous earth filter: diatomaceous earth as the main medium, the use of fine particles of diatomaceous earth and porous swimming pool water to remove suspended particles, colloids and other impurities filtration device. The equipment consists of a housing, an intermediate shaft, filter plates, filter, guide rods, valves, sight glass, rubber and other items, all of the liquid contact parts are made of stainless steel, the housing is divided into multiple section, single, inter-section with a rubber ring seal, easy to disassemble and clean. Diatomaceous earth filter applies to clarify wine, liquor, wine, wine, syrup, beverages, soy sauce, vinegar, as well as biological, pharmaceutical, chemical and other liquid filtration products.



- 饮料业: 果蔬汁、茶饮料、啤酒、黄酒、果酒、白酒、葡萄酒等
- 制糖业: 蔗糖、果葡糖浆、高果糖浆、葡萄糖浆、甜菜糖、蜂蜜等
- 医药业: 抗生素、维生素、合成血浆、中药提取液等
- 调味品: 醋、酱油、味精、料酒等
- 化学制品: 树脂、无机酸、有机酸、醇、苯、醛、醚等
- 其他: 明胶、骨胶、海藻胶、植物油、淀粉等
- 按过滤单元的类型: 柱式和板式。
- 按过滤器的方式: 一体式和独立式。
- 按助剂的方式: 可逆式和可再生式

- Beverage industry: fruit and vegetable juices, tea drinks, beer, wine, wine, liquor, wine, etc.
- sugar industry: sugar, fructose syrup, high fructose corn syrup, glucose syrup, beet sugar, honey, etc.
- Pharmaceutical industry: antibiotics, vitamins, synthetic plasma, traditional Chinese medicine extracts.
- Condiment: vinegar, soy sauce, MSG, cooking wine, etc.
- Chemicals: resins, inorganic acids, organic acids, alcohols, benzene, aldehydes, ethers, etc.
- Other: gelatin, glue, sodium alginate, vegetable oil, starch, etc.
- Filtration unit according to type: column and plate.
- Press filter use: integrated and stand-alone.
- Press additives used: reversible and regenerative

### 可逆式硅藻土过滤器

一般为板式, 过滤单元的两个方向都可以涂硅藻土膜, 水流可以从正方向进行过滤, 切换到逆向也可以过滤, 节省过滤、反冲、涂膜的切换时间, 涂膜可根据设计调节厚度, 流速从 2m/h-10m/h。

### Reversible diatomite filter

Generally plate, two directions filtration unit can be painted film Celite, the water can be filtered from the positive direction, the direction may be switched to the inverse filter, Filtering, recoil, the switching time of the coating, the coating can be adjusted according to the design thickness, filtration rate from 2m / h-10m / h.

### 可再生式硅藻土过滤器

一般为柱式, 过滤器为罐式, 圆柱形过滤单元放置在罐体内部, 当过滤器停机后, 罐内的硅藻土在再开机时可重复使用, 节省硅藻土和反冲洗水量, 涂膜较厚, 纳污量较高。

### Renewable diatomite filter

Generally column, filter for the tank, cylindrical filter unit is placed inside the tank when the filter is stopped, the tank can be reused in diatomite then boot, diatomaceous earth and saving backwash water, thick film, high dirt holding capacity.

## 板框过滤 Filtering Equipment

液泵，其配用电机小，耗电省。机座下装有胶轮，操作方便，移动灵活，可供移动使用。

### JR 系列不锈钢板框过滤器

本机为不锈钢多层板框式过滤器，适用于浓度 50% 以下粘度较低，含渣量较少的液体作密闭过滤以达到提纯、澄清等精滤、半精滤的要求。可以直接选用微孔滤膜，能够不经微孔过滤器过滤而达到无菌过滤之目的。本机过滤面积大，流量大，适用范围大，所以在制药、化工、食品等行业有广泛用途，应用在制药厂针剂药液之过滤，效果甚佳。

### JR series Stainless Steel Frame Filter

The machine is stainless steel multilayer frame filter. It is fit for enclosed filter in liquids with concentration 50% low viscosity and little slag so as to meet precision filter and half-precision filter requirements like refining, sterilization and clarification. By directly using micro porous-membrane material can achieve aseptic filtration without passing micro porous-membrane filter. The filter has big filter area, big flow, and wide application scope. So it is widely used in pharmacy, chemical engineering and food industries. While used for filtering injection liquids in pharmaceutical factories, it has particularly good effects.

### 特点

本机除配用电机外，其它机件均采用不锈钢 SUS304 或 SUS316L 制造，适用于过滤各种 PH 值酸碱溶液，本机应用加压密闭过滤，滤液损耗少，过滤质量好，效率高。过滤部分由十层滤板组成，过滤面积大，流通量大；且可根据被滤溶液之不同生产工艺（初滤、半精滤、精滤）要求，更换不同滤膜，及根据用户生产流量之大小可适当减少或增加滤板层数，使之适合生产之需要，因此本机具有一机多用适用范围广之特点；滤板采用平面螺旋网状形，结构先进，不变形，容易清洗，能有效地增长各种滤膜的使用寿命，从而降低和节约生产成本，本机配备的不锈钢轴

### 技术参数 Technical parameters

型号规格 Model and specification	JR-150	JR-200	JR-300	JR-400
滤板直径 Diameter of filter board (mm)	150	200	300	400
层数 Layer	10	10	10	10
流量 Flow (T/h)	1.5	3	5	8
功率 Power (KW)	0.75	1.1	1.5	2.2
设备重量 Weight (Kg)	156	175	226	257
外形尺寸 Size (mm)	长 L	600	650	700
	宽 W	500	500	600
	高 H	800	900	1050



### Features

All parts of the machine, except collocated dynamo, adopts stainless steel SUS304 or SUS316L, which is fit for filtering solution of different PH value. The machine adopts sealed pressure-filter, which results in low filter liquid waste, good filter quality and high filter efficiency. Filtering part consists of ten layers of filter plates, which has large filter area and flow. Users can change filter membranes according to different technological requirements (initial filter, half-precision filter, precision filter,) of the filtered solution, and properly reduce or increase filter plate quantity according to users' production flow. Hence, the machine is multi-functional and has wide application scope. Filter plates adopt flat screw-thread reticulation, which is advanced, easy to clean, not easy to deform, thus effectively extends performance life of different filter membranes and reduces or saves production cost. The stainless steel liquid infusion pump equipped on the machine has small dynamo and low power waste. Rubber wheels are fixed under the engine base for mobile use, which is flexible and convenient.

## 呼吸器 Respirator

KEDUN 科顿

- 呼吸器为制药工业，食品工业的贮罐气体交换时达到除菌之目的而设计制造的。滤芯采用疏水性聚四氟乙烯或聚丙烯折叠式微孔滤膜。滤器为优质进口不锈钢(304 316L)，按GMP标准设计制造，高效、节能、安全、可靠，广泛用于发酵空气，针剂用空气、惰性气体的净化(可作为总空气过滤器、分过滤器)、蒸馏水罐的呼吸器。
- 气体过滤精度为0.02 μm微粒，效率达到99.99%。过滤能力可在0.1-100m<sup>3</sup>/min范围内选用。介质厚度仅为0.8mm，孔径均匀稳定、气体阻力小、再生方便。也可用于灭菌蒸汽的过滤。此过滤器可彻底解决空气的染菌问题，而且可提高消毒灭菌的质量，从而达到GMP和无菌卫生要求。
- Respirator for the pharmaceutical industry, food industry achieved when the tank of gas exchange in addition to the purpose of the bacteria and the design and manufacture. Adopts the hydrophobic ptfе or polypropylene folding decay pore membrane filter. Filter for high quality imported stainless steel (304, 316 l), the design and manufacture according to GMP standards, high efficiency, energy saving, safe, reliable, widely used in fermentation, air injection with air, inert gas purification (can be used as a total have bacteria, air filter), distilled water tank breathing apparatus.
- Low gas filtration precision is 0.02 microns particles efficiency reached 99.99%. Filtering ability can within the scope of 0.1-100 m<sup>3</sup> / min. Medium thickness of only 0.8 mm, aperture uniform stability, little gas resistance, easy regeneration. Can also be used for the sterilization of steam filtration. This filter can thoroughly solve the problem of air bacteria of dye, and can improve the quality of disinfection sterilization, to meet the requirements of GMP and sterile health.

### 技术参数

- 产品材质：不锈钢SUS304、SUS316L
- 连接方式：快装式、焊接式
- 工作介质：空气

### Technical Parameters

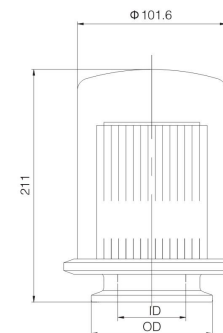
- Product material: stainless steel SUS304, SUS316L
- Connection mode: fast loading type, welding type
- Working medium: air

### 应用领域

- 啤酒工程
- 食品工程
- 水处理工程
- 化学工程
- 制药工程
- 生物工程

### Application Field

- Beer engineering
- Food engineering
- Water treatment engineering
- Chemical engineering,
- Pharmaceutical engineering
- Biological engineering



规格 Size	ID	OD
1"	22.4	50.5
1.25"	35.1	50.5
1.5"	35.1	50.5
2"	47.8	64



# 耗材选型表

## Material Selection Table



### 聚醚砜系列 Polyether sulfone series

超高寿命聚醚砜滤芯(APS)  
高精度高保障聚醚砜除菌滤芯(SPS)  
双层聚醚砜膜滤芯(DPS)  
High life polyether sulphone filter (APS)  
High precision guarantee polyether sulfone aseptic filter (SPS)  
Double polyether sulfone membrane filter (DPS)

### 聚醚砜系列 Teflon

耐腐蚀水四氟乙烯液体除菌滤芯(LHPF)  
耐腐蚀聚四氟乙烯液体除菌滤芯(LPF)  
耐高温聚四氟乙烯气体除菌滤芯(HGPF)  
最高效率聚四氟乙烯气体除菌滤芯(GPF)  
Corrosion resistant water tetrafluoroethylene liquid aseptic filter (LHPF)  
Corrosion resistant teflon liquid aseptic filter (LPF)  
Resistance to high temperature pte gas aseptic filter (HGPF)  
The highest efficiency pte gas aseptic filter (GPF)

### 尼龙系列 Nylon series

高效率尼龙66膜除菌滤芯(N66)  
化学溶剂过滤滤芯(Ny6)  
Efficient nylon 66 film aseptic filter (N66)  
Chemical solvent filtration filter (Ny6)



### 聚偏氟乙烯系列 Poly (vinylidene fluoride series)

低吸出低蛋白吸附聚偏氟乙烯绝对滤芯(LPV)  
Low suck out low protein adsorption polyvinylidene fluoride absolute filter (LPV)

### 全氟系列 Perfluorinated series

All-teslon类氟滤芯(APTF/APTFI)  
All-teslon类全氟滤芯(AET/AETI)  
All - teflon type fluorine filter (APTF/APTFI)  
All - teflon type of perfluorinated filter (AET/AETI)



### 聚丙烯系列 Polypropylene series

超高纳污量聚丙烯滤芯(PFSA/PFSA2)  
绝对精度聚丙烯折叠深层滤芯(71-APP)  
经济型高精度聚丙烯滤芯(HPP)  
Ultra high quantity of polypropylene filter (PFSA/PFSA2).  
Absolute accuracy of polypropylene folding deep filter (71 - APP)  
Economical and high precision of polypropylene filter (HPP)

### 玻璃纤维系列 The glass fiber series

高效率玻璃纤维液体预滤芯(LGFP/GF)  
高效率玻璃纤维气体过滤滤芯(GGFP)  
High efficiency glass fiber liquid pre filter (LGFP/GF)  
High efficiency glass fiber gas filter filter (GGFP)



### PBT滤材 PBT Filter material

耐高温耐腐蚀聚酯液体过滤滤芯(HPBT)  
耐高温耐腐蚀全聚酯材料液体过滤滤芯(APBT)  
Corrosion resistance of heat-resistant polyester liquid filtration filter (HPBT)  
Corrosion resistance of heat-resistant polyester material all liquid filtration filter (APBT)

### 深层系列 Deep series

超高寿命聚丙烯深层滤芯(GUF)  
超高精度聚丙烯晨晨滤芯(RMF-PF)  
双组固化滤芯(EP)  
经济型聚丙烯深层滤芯(PPKP)  
线绕式滤芯(WDC)  
Ultra deep polypropylene filter (GUF) life  
Ultra-high precision polypropylene filter (RMF - PF) chenchen  
Two-component curing filter (EP)  
Deep economy polypropylene filter (PPKP)  
Wire wound filter (WDC)



### 不锈钢滤芯系列 Stainless steel filter series

金属钛过滤滤芯(TIC)  
折叠不锈钢网滤芯(PSSC)  
折叠不锈钢毡滤芯(PSSF)  
五层不锈钢烧结网滤芯(CSSC)  
不锈钢粉末烧结滤芯(SSPS)  
Titanium filter filter (TIC)  
Stainless steel mesh filter (PSSC)  
Folding felt of stainless steel filter (PSSF)  
Five layer sintered stainless steel net filter (CSSC)  
Stainless steel powder sintered filter (SSPS)



### 纸板系列 Cardboard series

液体深层层叠纸板滤芯(CSD)  
Liquid deep laminated cardboard filter (CSD)



### 滤袋系列 Filter bag series

经济型针刺毡滤袋(EBF)  
高效熔吹聚丙烯滤袋(HEBF)  
超大流量针刺毡滤袋(HFBF)  
表面过滤尼龙滤袋(SBF)  
Economical needled felt filter bag (EBF)  
High melt blown polypropylene filter bag (HEBF)  
Large flow needled felt filter bag (HFBF)  
Surface nylon filter bag filter (SBF)



### 膜系列 Film series

聚醚砜膜(PES)  
聚四氟乙烯膜(PTFE)  
尼龙膜(Nylon)  
聚偏氟乙烯膜(PVDF)  
聚丙烯滤材(PP)  
玻纤纤维滤材(GF)  
Polyether sulfone (PES) membrane  
Polytetrafluoroethylene (PTFE) membrane  
The Nylon membrane (Nylon)  
Poly (vinylidene fluoride) (PVDF) membrane  
Polypropylene (PP) filter material  
Fiberglass fiber filter material (GF)



### 大流量滤芯系列 Large flow filter series

大流量滤袋式滤芯(BG160)  
超大流量滤芯(HF150)  
Large flow filter bag filter (BG160)  
Large flow filter (HF150)

